

ALL DRAWINGS AND SPECIFICATIONS ARE THE PROPERTY OF THE CONSULTANT.
 NO REPRODUCTIONS OR ALTERATIONS WITHOUT THE CONSENT OF THE CONSULTANT AND
 ALL REPRODUCTIONS MUST BEAR THE NAME OF THE CONSULTANT.
 THE CONTRACTOR SHALL VERIFY ALL DIMENSIONS, DATUMS AND LEVELS NOTED ON
 THE DRAWINGS WITH THE CONDITIONS ON SITE AND SHALL BE RESPONSIBLE FOR
 REPORTING ANY ERRORS OR OMISSIONS TO THE ENGINEER FOR ADJUSTMENTS.
 THIS DRAWING SHALL NOT BE SCALED.

FLOOR ASSEMBLIES

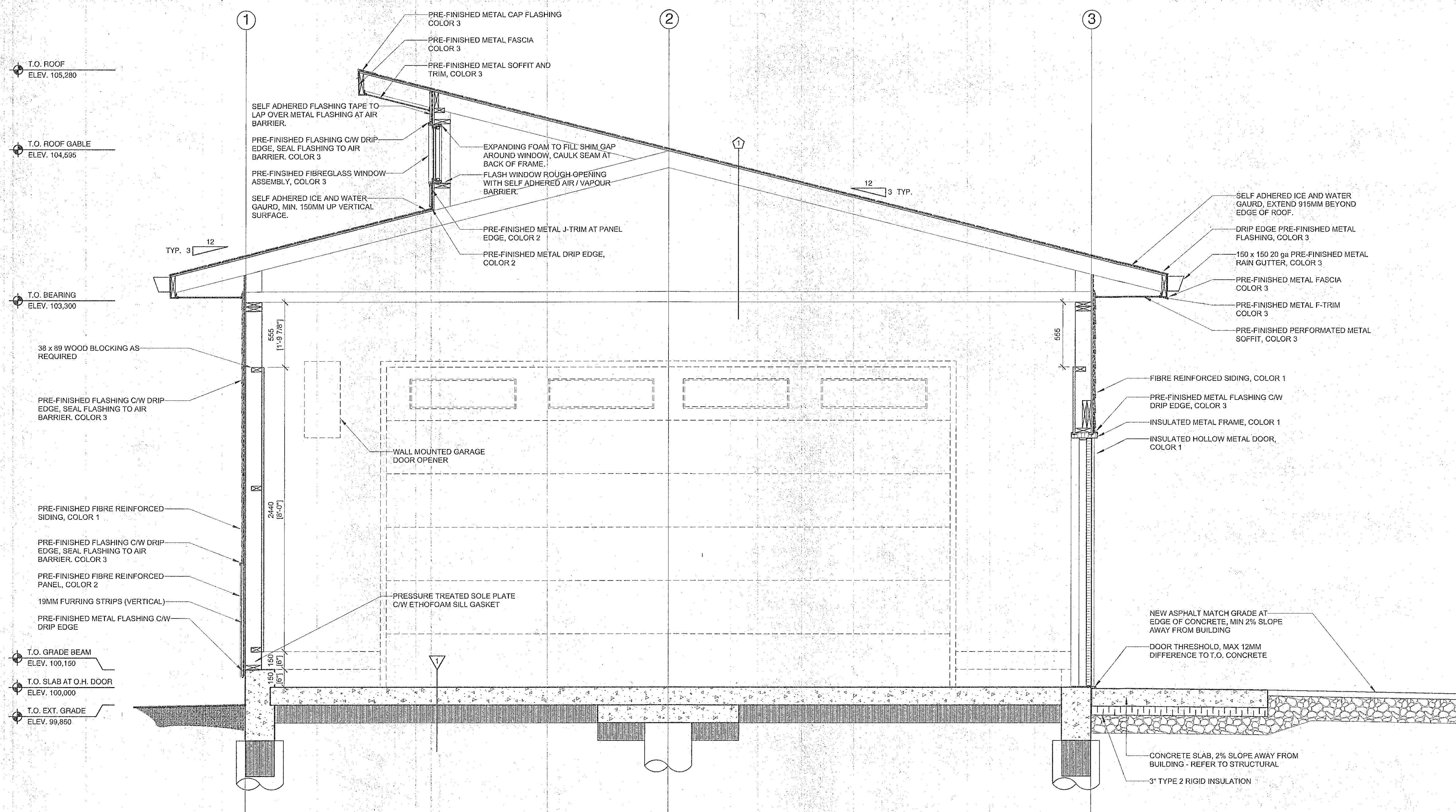
- FLOOR ASSEMBLY**
- 150 CONCRETE SLAB - REFER TO STRUCTURAL
 - 300 VOID FORM
 - 10 ML POLY MOISTURE BARRIER
 - 6" GRANULAR FILL - REFER TO STRUCTURAL

ROOF ASSEMBLIES

- ROOF ASSEMBLY**
- 30 YEAR FIBREGLASS SHINGLES
 - SYNTHETIC ROOF UNDERLAYMENT
 - 1/2" PLYWOOD SHEATHING C/W "H" CLIPS
 - PRE-FABRICATED WOOD TRUSSES @ 24" O.C.

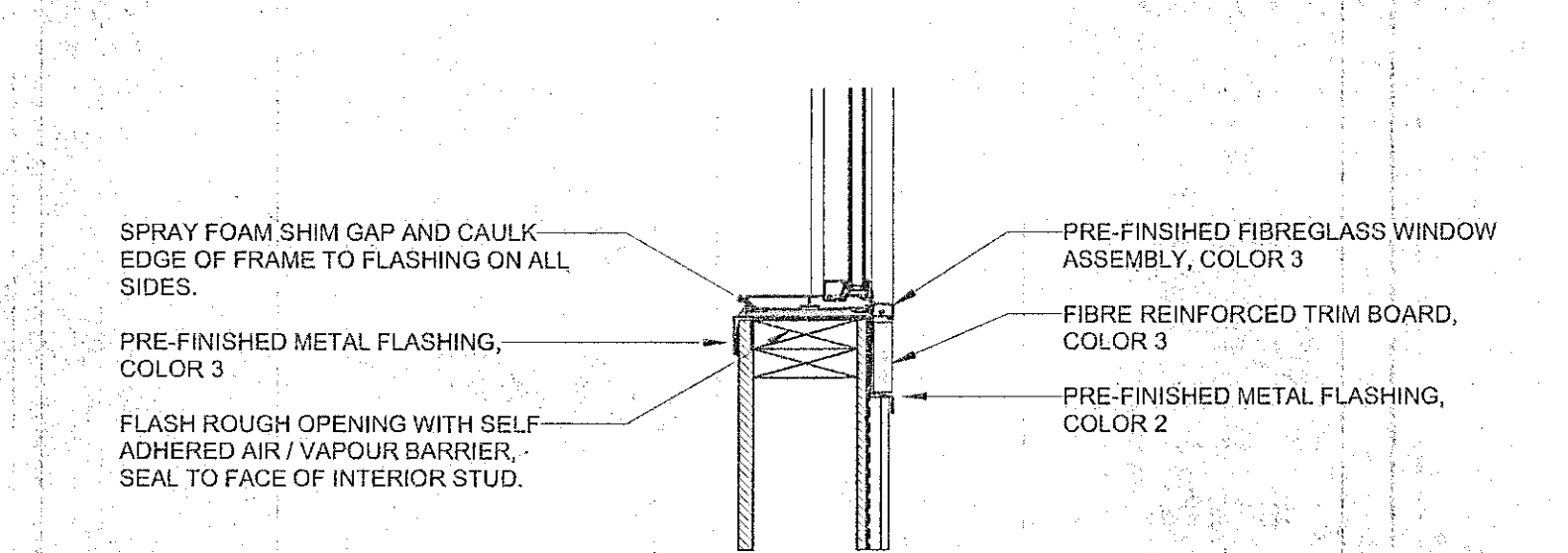
WALL ASSEMBLIES

- EXTERIOR FINISH**
- FURRING STRIPS - AS PER SECTIONS
 - TYVEK COMMERICALWRAP™
 - 12MM O.S.B. SHEATHING
 - 38 x 140 WOOD STUDS @ 405MM O.C.
 - 19MM PLYWOOD SHEATHING

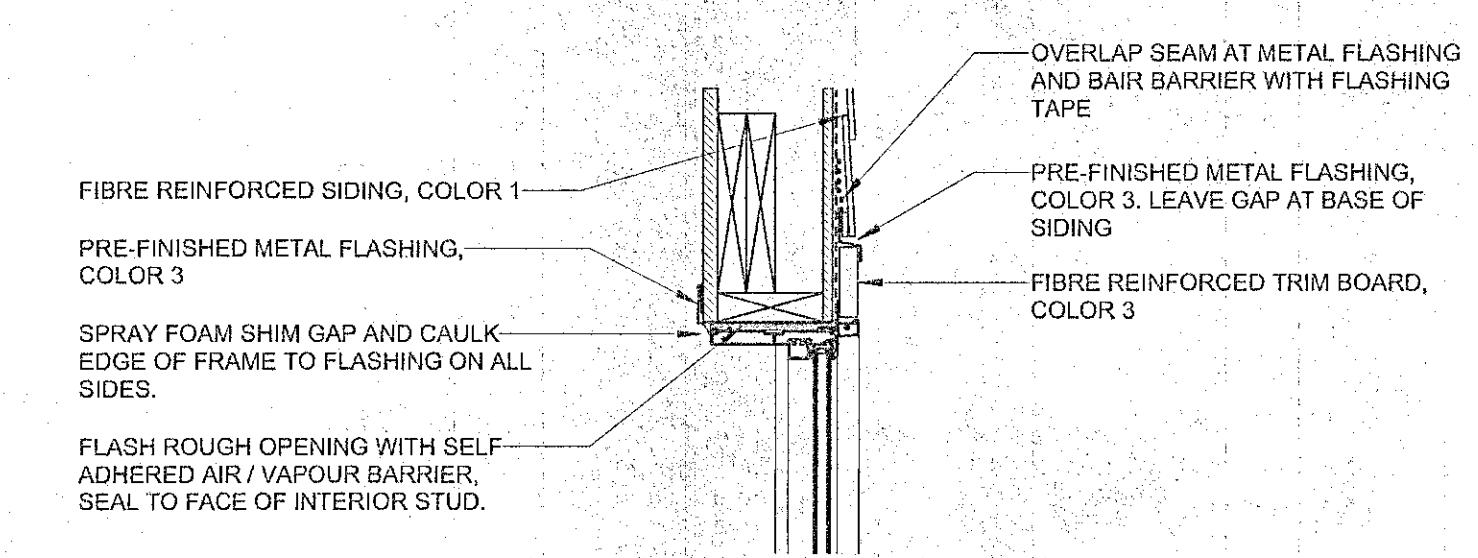


A BUILDING SECTIONS
 SCALE 1/20

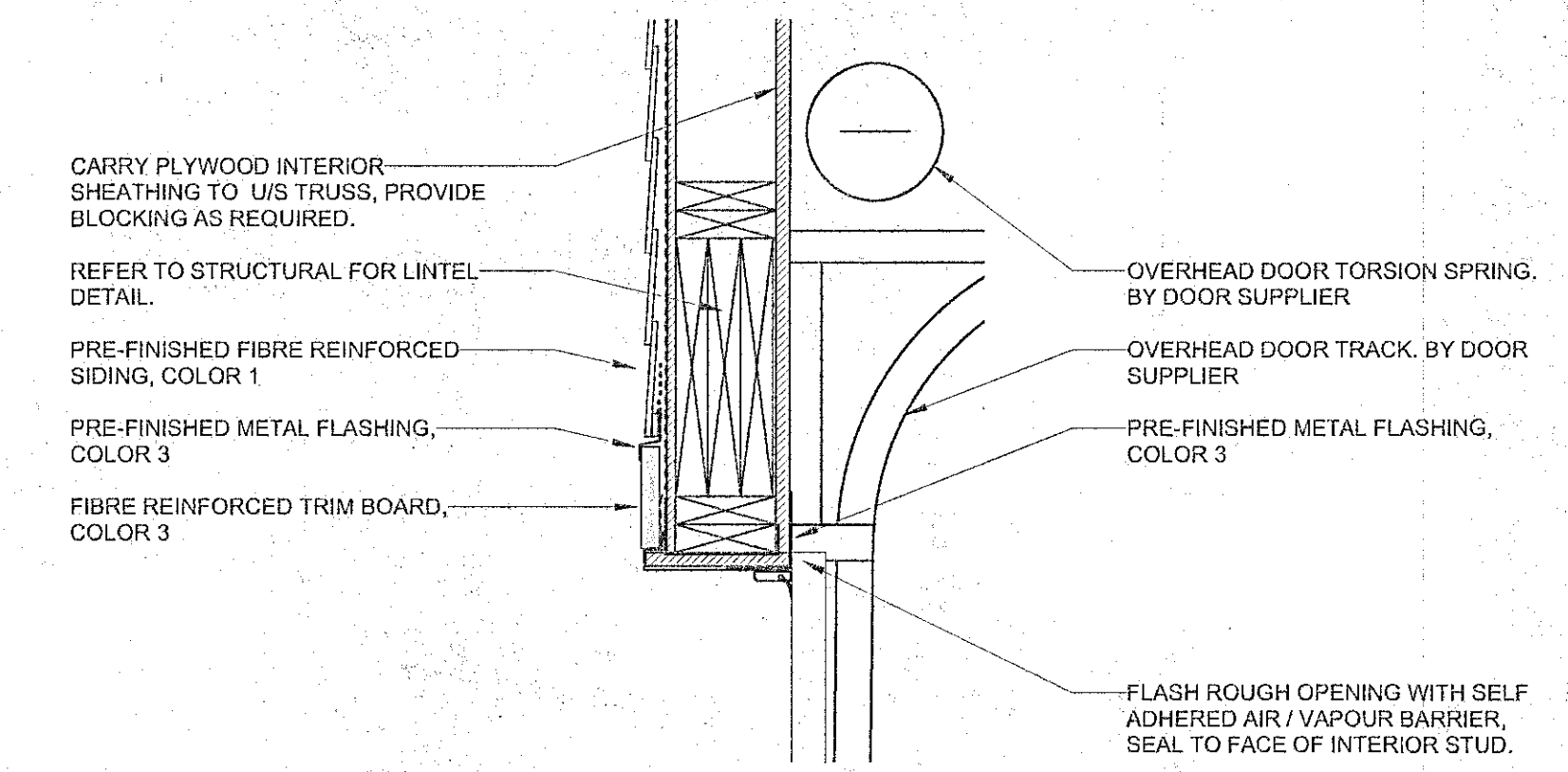
NOTE:
 REFER TO STRUCTURAL FOR FOUNDATION DETAILS



1 WINDOW SILL
 SCALE 1/10



2 WINDOW HEAD
 SCALE 1/10



2 WINDOW HEAD
 SCALE 1/10



Revisions

Date	Revision
November, 2019	Issued for Construction

Northern Sky Architecture Inc.

100-128 James Avenue
 Winnipeg, Manitoba, Canada
 R2H 1K8
 Phone: (204) 271-1111
 Fax: (204) 271-1111
 204-943-8767

Stamp: PROVINCE OF MANITOBA ARCHITECTURAL CORPORATION
 Stamp: NORTHERN SKY ARCHITECTURE INC. No. 021
 Stamp: PROVINCE OF MANITOBA REGISTERED ARCHITECT DONALD K. OLIVER No. 2711/19

Project: City of Winnipeg

Bridgwater Storage Garage

200 North Town Road
 Winnipeg, Manitoba

drawing title: **BUILDING SECTIONS, DETAILS**

scale	as noted	designed by	so
date	November, 2019	drawn by	so
project no.	911-2019	reviewed by	dko
reference no.	19.236	sheet	A3.1 REV.